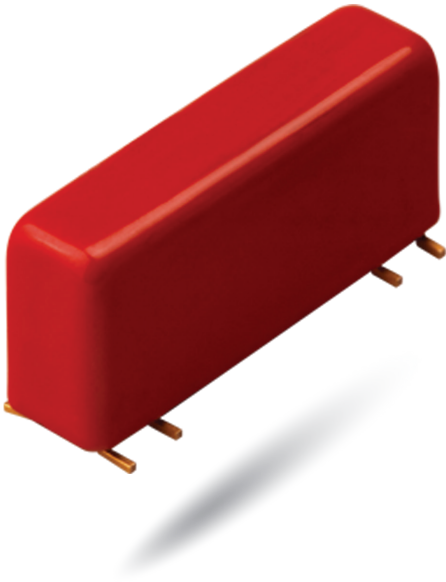


2362 SMD 2 FORM C REED RELAY



2362 Series SMD 2 Form C Reed Relay

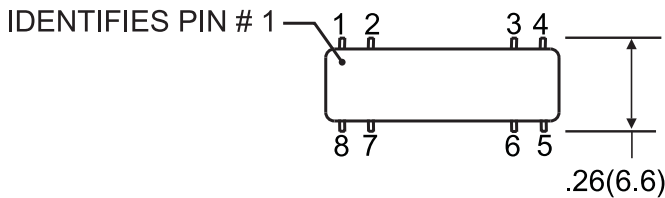
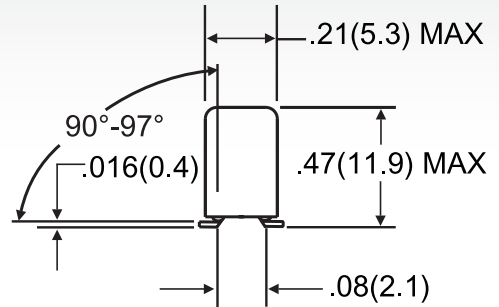
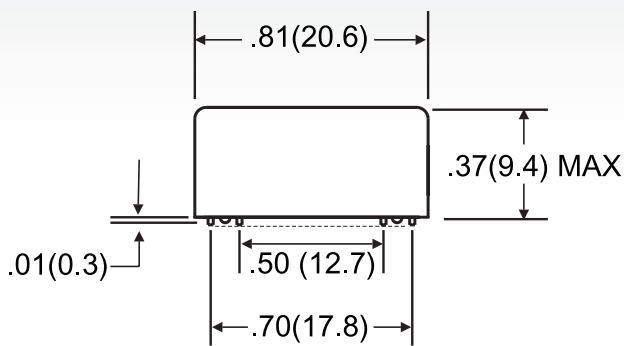
The 2362 is the Surface Mount version of Coto Technology's popular 2342 2 Form C Pico relay. The 2362 offers a proven reed design with longer life than competing 2 Form C EMR products. The 2362 is the ideal solution for automated test, instrumentation and telecommunication applications to increase system reliability and life.

2362 Series Features

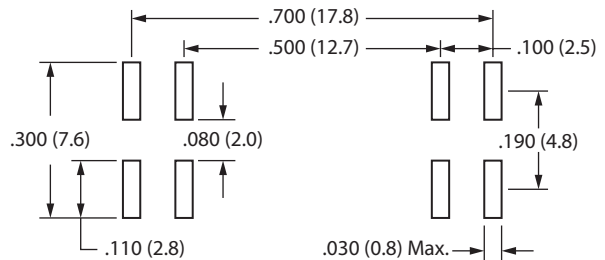
- ▶ 2 Form C Contacts
- ▶ Hermetically Sealed Contacts
- ▶ Long Life / High Reliability
- ▶ Magnetically Shielding Steel Shell
- ▶ Surface Mount Relay
- ▶ RoHS compliant

DIMENSIONS

in Inches (Millimeters)



RECOMMENDED LAND PATTERN DIMENSIONS PER IPC STANDARDS



Ordering Information

Part Number 2362-XX-000

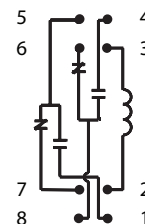
Coil Voltage

05=5 volts

12=12 volts

| MODEL NUMBER | | | 2362 |
|---|--|------------------------|-----------------|
| Parameters | Test Conditions | Units | 2 Form C |
| COIL SPECS. | | | |
| Nom. Coil Voltage | | VDC | 5 12 |
| Coil Resistance | +/- 10%, 25° C | Ω | 175 1000 |
| Operate Voltage | Must Operate by | VDC - Max. | 3.8 9.0 |
| Release Voltage | Must Release by | VDC - Min. | 0.4 1.0 |
| CONTACT RATINGS | | | |
| Switching Voltage | Max DC/Peak AC Resist. | Volts | 100 |
| Switching Current | Max DC/Peak AC Resist. | Amps | 0.25 |
| Carry Current | Max DC/Peak AC Resist. | Amps | 0.5 |
| Contact Rating | Max DC/Peak AC Resist. | Watts | 3 |
| Life Expectancy-Typical ¹ | Signal Level 1.0V, 10mA | x 10 ⁶ Ops. | 250 |
| Static Contact Resistance (max. init.) | 50mV, 10mA | Ω | 0.200 |
| Dynamic Contact Resistance (max. init.) | 0.5V, 50mA at 100 Hz, 1.5 msec | Ω | 0.250 |
| RELAY SPECIFICATIONS | | | |
| Insulation Resistance (minimum) | Between all Isolated Pins at 100V, 25°C, 40% RH | Ω | 10 ⁹ |
| Capacitance - Typical Across Open Contacts | No Shield | pF | 2.0 |
| | Shield Guarding | pF | N/A |
| Dielectric Strength (minimum) | Between Contacts | VDC/peak AC | 200 |
| | Contacts to Shield | AC | N/A |
| | Contacts/Shield to Coil | VDC/peak AC | 1000 |
| Operate Time - including bounce - Typical | At Nominal Coil Voltage, 30 Hz Square Wave | msec. | 1.5 |
| Release Time - Typical | | msec. | 2.0 |

Bottom View:
Dot stamped on top of relay refers to pin #1 location
Grid = .1"x.1" (2.54mm x 2.54mm)



Notes:

¹ Consult factory for life expectancy at other switching loads.

Environmental Ratings:

Storage Temp: -35°C to +100°C; *Operating Temp:* -20°C to +85°C

Max Relay Temp During Solder Reflow Process: 260°C for 1 minute maximum

All electrical parameters measured at 25°C unless otherwise specified.

Vibration: 20 G's to 2000 Hz; *Shock:* 50 G's

08302023