

CotoMOS® CT148/CS148

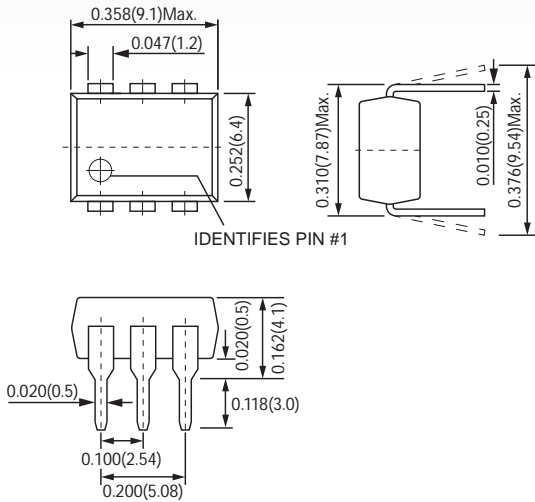
The CT148/CS148 features current switching capability to 350mA with a low on-resistance of 3.5Ω Maximum. Designed for Security, Industrial Controls, Measurement and Instrumentation applications the CotoMOS® relay is capable of handling 100V load conditions. If your requirements are different please contact your Coto Applications Engineer for assistance through www.cotorelay.com.

CT148/CS148 Features

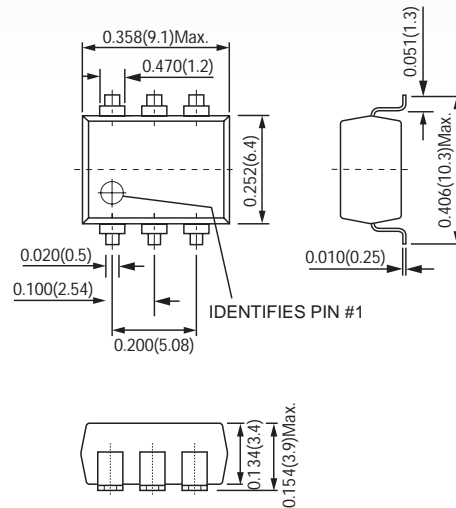
- ▶ Contact Form: 1A
- ▶ Load Voltage: 100V Maximum
- ▶ Operation LED Current: 3.0mA Maximum
- ▶ Load Current: 350mA Maximum
- ▶ On-Resistance: 3.5Ω Maximum
- ▶ Output Capacitance: 37pF Typical
- ▶ Low Off-State Leakage Current: 1.0μ A Maximum
- ▶ Suffix - H for DIP/SMD I/O Breakdown Voltage: 5000Vrms Minimum

DIMENSIONS
in Inches (Millimeters)

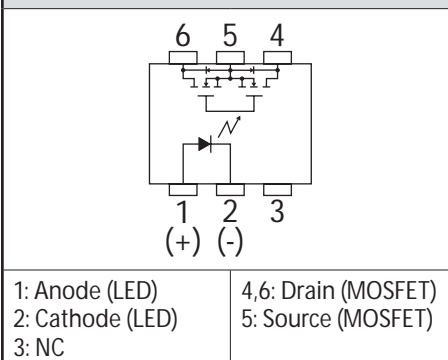
CT148



CS148



TERMINAL IDENTIFICATION



48 SERIES GRAPHS

