

## CotoMOS® C248S/C348S

The C248S/C348S features current switching capability to 310mA with a low on-resistance of 3.5Ω Maximum. Designed for Security, Industrial Controls, Measurement and Instrumentation applications the CotoMOS® relay is capable of handling 100V load conditions. If your requirements are different please contact your Coto Applications Engineer for assistance through [www.cotorelay.com](http://www.cotorelay.com).

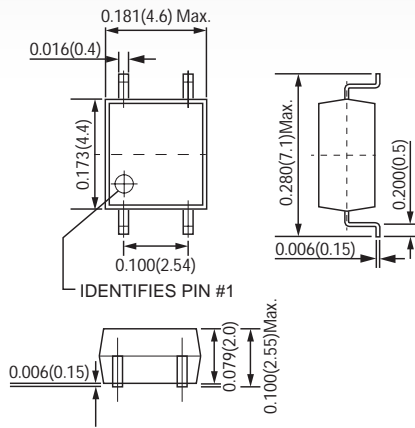
### C248S/C348S Features

- ▶ Contact Form: 1A/2A
- ▶ Load Voltage: 100V Maximum
- ▶ Operation LED Current: 3.0mA Maximum
- ▶ Load Current: 310mA Maximum
- ▶ On-Resistance: 3.5Ω Maximum
- ▶ Output Capacitance: 37pF Typical
- ▶ Low Off-State Leakage Current: 1.0μ A Maximum

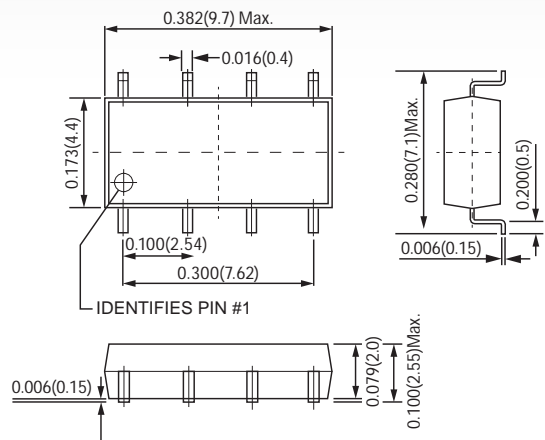
## DIMENSIONS

*in Inches (Millimeters)*

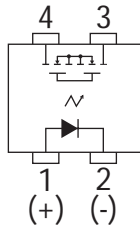
C248S



C348S

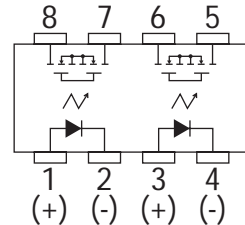


### TERMINAL IDENTIFICATION



1: Anode (LED)	3,4: Drain (MOSFET)
2: Cathode (LED)	

### TERMINAL IDENTIFICATION



1,3: Anode (LED)	5,6,7,8: Drain (MOSFET)
2,4: Cathode (LED)	



# 48 SERIES GRAPHS

