

CotoMOS® C2211S/C3211S

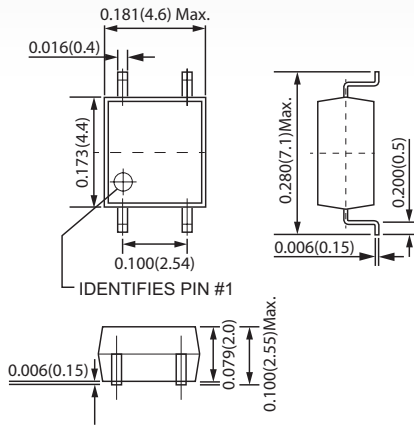
When small size and high performance are needed, the SOP package, such as the C2211S or C3211S, is the industry choice. Both the C2211S and the C3211S feature low on-resistance, high load-current capacity, and low off-state leakage current. In addition, the C3211S offers two fully-independent form A channels for further space savings. Both relays are ideally suited to the needs of Test and Measurement, Industrial, and Telecommunications.

C2211S/C3211S Features

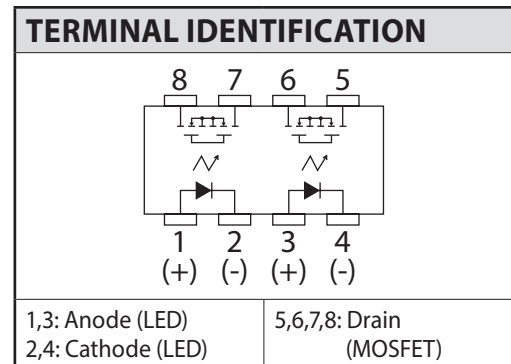
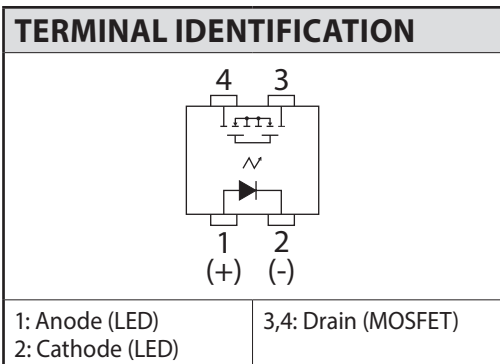
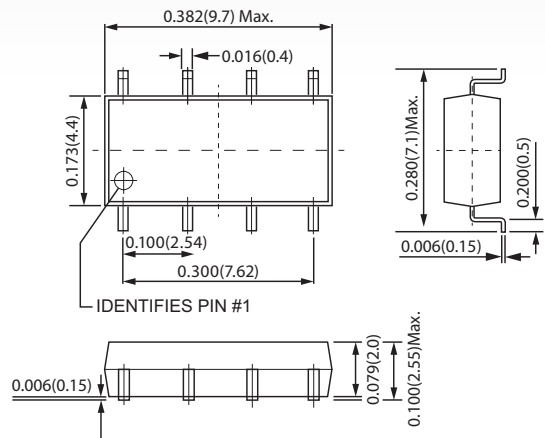
- ▶ Contact Form: C2211S: 1A / C3211S: 2A
- ▶ Load Voltage: 40V Maximum
- ▶ Must Operate LED Current: 3.0mA Maximum
- ▶ Load Current: 0.25A Maximum
- ▶ Low On-Resistance: 1.25Ω Maximum
- ▶ Output Capacitance: 13pF Typical
- ▶ Low Off-State Leakage Current: 10μA Maximum

DIMENSIONS
in Inches (Millimeters)

C2211S



C3211S



C2211S/C3211S MAXIMUM RATINGS (Ambient Temperature: 25°C)			
Parameters	Symbol	Units	Value
INPUT SPECIFICATIONS			
Continuous LED Current	I _F	mA	50
Peak LED Current	I _{FP}	mA	500
LED Reverse Voltage	V _R	V	5
Input Power Dissipation	P _{in}	mW	75
OUTPUT SPECIFICATIONS			
Load Voltage	V _L	V (AC peak or DC)	40
Load Current	I _L	A	0.25
Peak Load Current	I _{Peak}	A	0.75
Output Power Dissipation	P _{Out}	mW	300 (1Ch) / 400 (2Ch)
RELAY SPECIFICATIONS			
Total Power Dissipation	P _T	mW	350 (1Ch) / 450 (2Ch)
I/O Breakdown Voltage	V _{I/O}	V _{RMS}	1500
Operating Temperature	T _{Opr}	°C	-40 ~ +85
Storage Temperature	T _{Stg}	°C	-40 ~ +100

C2211S/C3211S ELECTRICAL SPECIFICATIONS (Ambient Temperature: 25°C)						
Parameters	Symbol	Test Conditions	Units	Min	Typ	Max
INPUT						
LED Forward Voltage	V _F	I _F =10mA	V	1.0	1.17	1.5
Operation LED Current	I _{F On}		mA		0.3	3.0
Recovery LED Voltage	V _{F Off}		V	0.5	1.0	
OUTPUT						
On-Resistance Drain to Drain	R _{On}	I _F =5mA, I _L =250mA Time to flow is within 1 sec.	Ω		0.9	1.25
Off-State Leakage Current	I _{Leak}	V _L =40V	μA		0.03	10
Output Capacitance	C _{Out}	V _L =0V, f=1MHz	pF		13	
TRANSMISSION						
Turn-On Time	T _{On}	I _F =5mA, I _L =250mA	ms		0.07	0.5
Turn-Off Time	T _{Off}		ms		0.06	0.2
COUPLED						
I/O Insulation Resistance	R _{I/O}		Ω	10 ⁹		
I/O Capacitance	C _{I/O}	f=1MHz	pF		0.8	

Environmental Ratings:

Operating Temp: -40°C to +85°C; Storage Temp: -40 to +100 C.
All electrical parameters measured at 25° C unless otherwise specified.

C2211S/C3211S SERIES GRAPHS

